



Pneumatic Valves, PET blow moulding

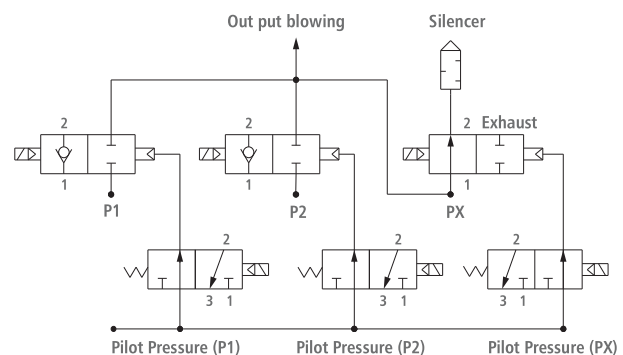
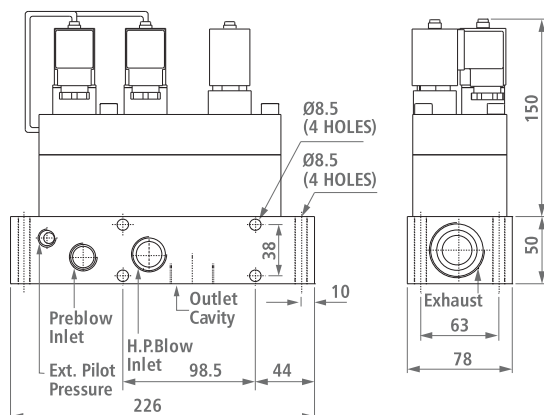


Features

- Specially designed for PET blow moulding machines
- Sturdy and reliable poppet design, external pilot operated
- Quick response to actuation
- High pressure 2/2 valve up to 40 bar
- Continuous duty cycle coil
- High flow rate blowing with shortest exhaust function
- Simple in maintenance and service friendly
- Suitable up to 5 litres, depending on cycle time
- Available with base suitable for up to 6 valves
- Material: Body, Cover- al anodised, Piston: delrin, Piston seal: PU, O ring: NBR

Specifications

Function	P1 Pre-Blowing	P2 High Pressure Blowing	PX Exhaust
Type	2/2 Way, Piston pilot	2/2 Way, Piston pilot	2/2 Way, Piston pilot
Switching function	Normally closed	Normally closed	Normally open
Pilot valves	3/2 NO	3/2 NO	3/2 NC
Orifice	12 mm	16 mm	22 mm
Port size	1/2 BSP	3/4 BSP	1 1/4 BSP
Operating pressure	2 to 16 bar	3 to 40 bar	2 to 40 bar
External pilot pressure	6 to 8 bar		



• For complete details, refer Product Data Sheet.