

Standard Pneumatic Cylinders

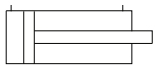
Features

- Cylinders with cast iron end covers and 'Round' profile M.S. hard chrome plated tube
- Extremely rugged and heavy duty
- Ideal for use in tough industrial environments
- Large range of bore sizes and mountings
- Stroke length offered up to 3000 mm
- Up to 10 ton load capacity
- Options: Bellows, viton seals, hollow shaft, rod extension and rod threading
- Specials: Single-acting, stroke adjustable, double-ended, duplex and large port

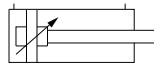


Available types

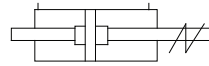
Non-Cushion



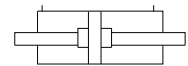
Cushion



Stroke Adjustable



Double-Ended



Specifications

Bore sizes	25, 40, 50, 65, 75, 100, 125, 150, 200, 250, 300, 350 mm
Medium	Compressed air (filtered and lubricated)
Design	Piston cylinder with cushion/non-cushion version
Pressure range	7 to 150 psi (0.5 to 10 bar)
Temperature range	-10 °C to 60 °C, up to 150 °C with viton seals
Construction	End covers- cast iron, Tube- mild steel seamless honed and hard chrome plated, Piston rod- EN-8 hard chrome plated, stainless steel (optional), Piston- cast iron/aluminium, Mountings- mild steel/ cast iron, Seals- NBR

Ordering code

Ordering code: **FPC S A A 1 150 I 0250 X X X**

Stroke: 0250

Pressure: S Standard, A 150 psi

Mountings

Mountings	
A Front flange	G Foot
B Rear flange	I Stud
C Rear eye	J Neck
D Rear trunnion	K Basic
E Intermediate trunnion	
F Centre trunnion	

1 Cushion
2 Non-cushion

Ram size

Ram size	Value
A	5
B	9.5
E	19.3
H	25.6
I	35.1
K	38.1
L	44.5
M	50.8
N	58.4

Bore size

Bore size	Value
25	125
40	150
50	200
65	250
75	300
100	350

Type 1

Type 1	Value
X	Standard
1	Stroke adjustable
2	Double ended
3	Large port
4	Duplex
5	Single acting

Type 2

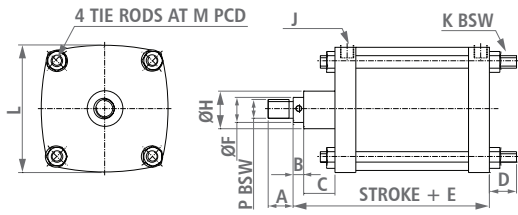
Type 2	Value
X	Standard (BSW)
1	Metric thread
2	Female inches
3	Female metric
4	Hollow male
5	Hollow female
6	Viton seal

Type 3

Type 3	Value
X	Standard
9	Rod extension
0	Special

Dimensions

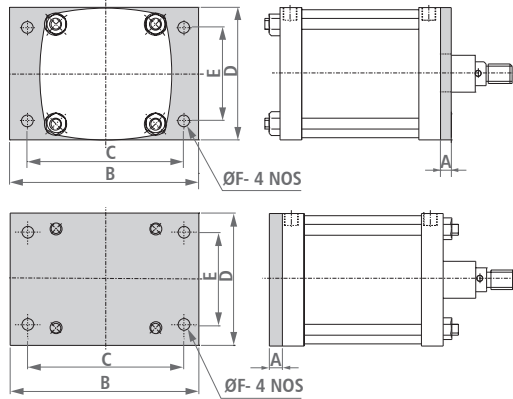
(All dimensions in mm)



Basic

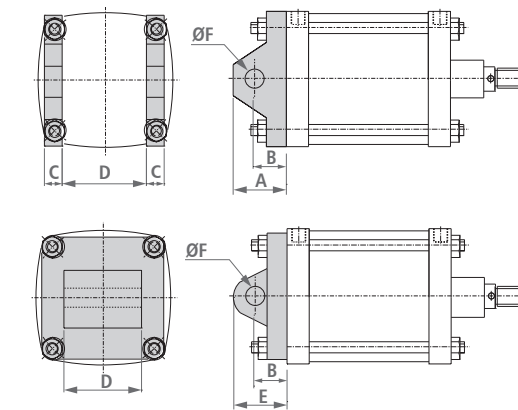
Bore	25	40	50	65	75	100	125	150	200	250	300	350
A	12	19	19	19	19	25	32	32	45	50	50	50
B	8	13	15	15	15	15	19	19	19	19	21	24
C	15	28.5	25	25	32	25	38	38	57	57	60	60
D	20	25	25	25	30	30	40	40	45	45	50	55
*E	78	127	138	141	160	159	215	206	238	247	252	328
F	9.6	19.3	19.3	19.3	19.3	25.6	35.1	35.1	38.1	44.5	50.8	58.4
H	24	38	43	43	47	48	60	60	65	76	86	105
J	G 1/8	G 1/4	G 1/4	G 1/4	G 1/4	G 3/8	G 1/2	G 1/2	G 3/4	G 3/4	G 3/4	G 1
K	3/16"	1/4"	1/4"	1/4"	3/8"	3/8"	1/2"	1/2"	3/4"	3/4"	1"	1"
L	38	50.5	63.5	77.5	92	119	146	170	225	278	330	390
M	35.5	54	68	83	99	125	152.5	179	241.5	294	351	400
P	M8	1/2"	1/2"	1/2"	1/2"	3/4"	1"	1"	1 1/4"	1 1/2"	1 3/4"	1 3/4"

* Stroke length above 1000 mm offered with stop tube



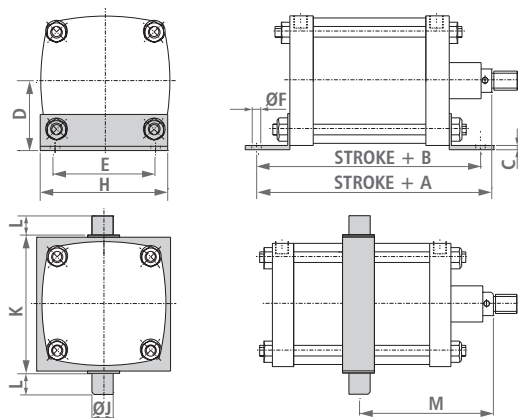
Front and rear flange mounting

Bore	25	40	50	65	75	100	125	150	200	250	300	350
A	8	9.5	9.5	9.5	12.5	12.5	13	13	19	19	25.5	30
B	70	95	108	121	152	178	203	228	324	384	451	515
C	55	73	86	98.5	120.5	146	168	190	268	323	401	455
D	38	50.5	64	77	92	120	146	170	222	273	325	375
E	25	28.5	42	54	63.5	89	118	133.5	159	216	254	265
F	5	10	10	10	13.5	13.5	13.5	13.5	20	20	26	26



Rear trunnion and rear eye mounting

Bore	25	40	50	65	75	100	125	150	200	250	300	350
A	—	32	35	38	48	54	70	70	89	102	121	125
B	15.5	21	22.5	24.5	32	38	44	44	54	57	77	80
C	—	10	10	10	16	16	21	21	32	32	38	40
D	12	28	38	48.6	54	72.4	86.8	105.5	138.8	176	210.2	242.8
E	28	31	35	40.5	51	57	70	70	86	95	115	120
F	9.5	9.5	12.7	16	19	19	25.4	25.4	31.8	38.1	38.1	40

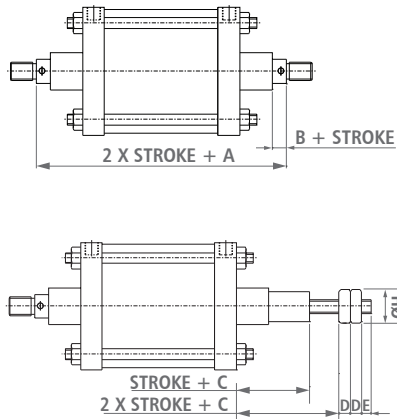


Foot and centre trunnion mounting

Bore	25	40	50	65	75	100	125	150	200	250	300	350
A	92	148.5	163	166	197	197	257	248	296	305	322	398
B	83	128.5	148	151	187	195	242	233	278	287	311	384
C	3	3.5	3.5	5	6	6	6	6	8	8	10	10
D	26.5	33	36.8	42.3	57	66.7	79	88	120.4	140	168.5	210
E	25	50	38	56.5	66	95	114.5	141	176	202	266	315
F	5	7	10	10	13.5	13.5	13.5	13.5	20	20	26	26
H	38	63	62.5	77	92	121	146	171	222	265	324	375
J	8	10	12	16	19	25.4	31.8	31.8	38.1	44.5	50.8	57
K	42	60	76	92	108	136	164	191	251	311	371	426
L	10	12	12	16	19	25	32	32	38	40	45	50
M	Customer to specify											

• For complete details, refer Product Data Sheet.

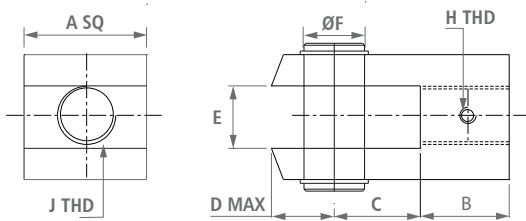
Double-ended and stroke adjustable cylinder



Bore	A	B	C	D	E	H
25	101	8	15	—	—	—
40	168.5	13	28.5	14	10	38
50	178	15	25	14	10	38
65	181	15	25	14	10	38
75	207	15	32	14	10	38
100	199	15	25	20	10	45
125	272	19	38	25	10	55
150	263	19	38	25	10	55
200	314	19	57	30	10	60
250	323	19	57	35	10	70
300	333	21	60	40	10	75
350	412	24	60	50	10	90

Cylinder accessories

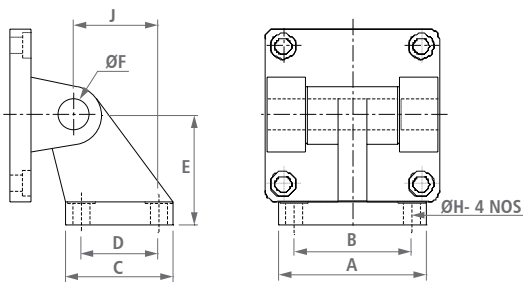
Rod fork



Standard pneumatic cylinder

Bore	A	B	C	D	E	F	H	J
25	18	12	13	12	10	8	M4	M8
40	28	20	19	16	15	10	M6	1/2" BSW
50, 65	28	20	20	19	15	12	M6	1/2" BSW
75	35	20	22	24	17	16	M6	1/2" BSW
100	45	26	28	30	25	19	M6	3/4" BSW
125, 150	54	32	32	40	30	25.4	M8	1" BSW
200	64	45	36	50	32	31.8	M8	1 1/4" BSW
250	76	50	45	55	40	38.1	M8	1 1/2" BSW
300, 350	90	50	52	60	50	40	M8	1 3/4" BSW

Hinge mounting



Standard pneumatic cylinder

Bore	A	B	C	D	E	F	H	J
40	54	41	35	22	36	9.5	6.6	24
50	65	50	45	30	45	12.7	9	33
65	67	52	50	35	50	16	9	37
75	86	66	60	40	63	19	11	47
100	96	76	70	50	71	19	11	55
125	124	94	90	60	90	25.4	14	70
150	148	118	118	88	115	25.4	16	97
200	162	122	130	90	135	31.8	16	105
250	200	150	160	110	165	38.1	22	128
300	230	170	182	122	200	38.1	27	150
350	260	200	210	150	225	40	27	175